



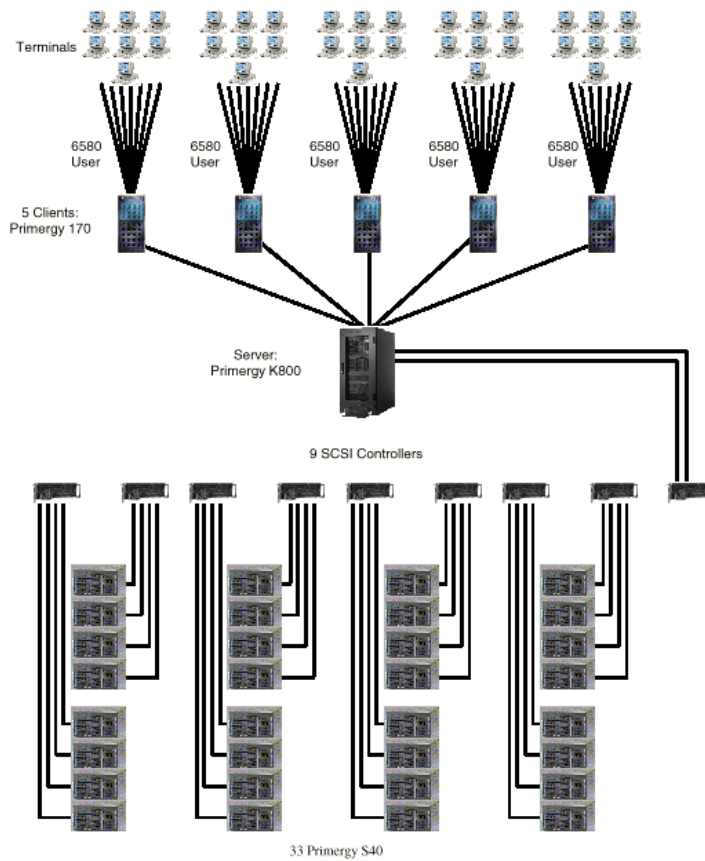
Primergy K800

C/S with 5 Primergy 170

TPC-C REV 3.5
EXECUTIVE SUMMARY

Report Date: December 13, 1999

Total System Cost	TPC-C Throughput	Price/Performance	Availability Date
€ 682,917	40,696.25 tpmC	€16.78/tpmC	January 1, 2000
Processors	Database Manager	Operating-System	Other Software
8 Intel Pentium® III Xeon 550 MHz	Microsoft SQL Server 7.0 Enterprise Edition	Microsoft Windows NT 4.0 Enterprise Edition	Windows 2000 Server, IIS 5.0 and COM+
			Number of Users
			32,900



System Components	Qty/Srv.	1 Primergy K800	Qty/Client	5 Primergy 170
Processors	8	Intel Pentium® III Xeon 550 MHz 2 MB SLC	1	Intel Pentium® III 550 MHz 512 KB SLC
Memory	4	GB	256	MB
Disk Controller	9	SCSI Controllers	1	SCSI Controller
Disk Drives	385	9 GB	1	9 GB
	8	36 GB		
Total GB of Storage	1	3535 GB	1	9 GB



Primergy K800

TPC-C REV 3.5
EXECUTIVE SUMMARY

C/S with 5 Primergy 170

Report Date: December 13, 1999

Description	Part Number	Third Party		Unit Price	Qty.	Extended Price	5yr Maint. Price
		Brand	Pricing				
K800 Base (4x550MHz,1xEther,2GB RAM, LAN)	SNP:SY-K594V542-P			1 54,580 Euro	1	54,580 Euro	
Pentium III Xeon Processor 550MHZ/2MB	SNP:SY-F2171E552-P			1 5,818 Euro	4	23,270 Euro	
2. CPU Board incl. CC board 4x SRAM	SNP:SY-F2172E4-P			1 3,325 Euro	1	3,325 Euro	
2. Memory Board	SNP:SY-F2173E100-P			1 966 Euro	1	966 Euro	
Memory 256 MB SDRAM 100MHZ	SNP:SY-F2174E504-P			1 840 Euro	8	6,720 Euro	
Tape Drv SLR50 , 25GB	SNP:SY-F1835E3-P			1 1,646 Euro	1	1,646 Euro	
9GB/10K LVD-SCSI, Hot Plug	SNP:SY-F1899E109-P			1 575 Euro	1	575 Euro	
Power Supply Module 750W (add)	SNP:PS-F594E1-P			1 680 Euro	1	680 Euro	
Keyboard KBPC	S26381-K271-V320			1 29 Euro	1	29 Euro	
Country Pack	SNP:SY-F1699B701-P			1 40 Euro	1	40 Euro	
Monitor MCM 15P1	S26361-K561-V150			1 253 Euro	1	253 Euro	251 Euro
Server Hardware Subtotal				1		92,085 Euro	
MegaRAID, 4ch w/64MB Mem + 10% spares	Enter. 1500-H	AMI		3 2,140 Euro	11	23,540 Euro	
36GB/10K LVD, Hot Plug (incl. 10% spare)	SNP:SY-F1899E136-P			1 2,071 Euro	10	20,708 Euro	
APC USV 3000VA (icl. 10% spares)	SNP:PS-E421E800-P			1 1,775 Euro	3	5,326 Euro	
9GB/10K LVD-SCSI, Hot Plug (+10% spares)	SNP:SY-F1899E109-P			1 575 Euro	423	243,331 Euro	
Primergy S40 BS 1 channel stack (+ 10% spares)	SNP:SY-K538V611-P			1 1,718 Euro	36	61,841 Euro	
SCSI Cacble UHD-HD LVD 5m (+10% spares)	SNP:SY-F1947L50-A			1 125 Euro	36	4,511 Euro	
Storage Subtotal				1		359,255 Euro	
Maint. Server + Storage							20,197 Euro
PRIMERGY 170 GE F, PIII 550, SCSI	SNP:SY-K549V129-A			1 1,330 Euro	5	6,650 Euro	2,352 Euro
Keyboard KBPC	S26381-K271-V320			1 29 Euro	5	145 Euro	
Country Pack	SNP:SY-F1699B401-A			1 40 Euro	5	200 Euro	
Memory 128 MB SDRAM ECC	S26361-F1840E515			1 350 Euro	10	3,500 Euro	
HD 9GB, U2W	SNP:SY-F2069E9-A			1 383 Euro	5	1,916 Euro	
ANA 62022 dual-port	SNP:SY-F2217E1-P			1 322 Euro	20	6,440 Euro	
Monitor MCM 15P1	S26361-K561-V150			1 253 Euro	5	1,265 Euro	251 Euro
Client Hardware Subtotal				1		20,116 Euro	
Microsoft Windows NT-Server, Enterprise Edition 4.0, incl 25 CALs		Microsoft		2 3,689 Euro	1	3,689 Euro	
MS SQL-Server 7.0 Enterp.Edition unlim. License		Microsoft		2 34,590 Euro	1	34,590 Euro	
Server Software Subtotal						38,279 Euro	10,200 Euro
Microsoft Windows 2000 Server, incl. 25 CALs		Microsoft		2 1,420 Euro	5	7,100 Euro	
Microsoft Visual C++ Professional 6.0		Microsoft		2 469 Euro	1	469 Euro	
Client Software Subtotal						7,569 Euro	
8xTP, 1x Coax 10Mbit Hub	DE-809TC	D-Link		4 29 Euro	4543	131,747 Euro	
8x10/0100Mbit Nway Switch	DES-1008	D-Link		4 205 Euro	3	615 Euro	
User Connectivity Subtotal						132,362 Euro	
Total						649,666 Euro	33,250 Euro

Five-Year Cost of Ownership 682,917 Euro
 tpmC 40,696.25
 Euro/tpmC 16.78

1=Fujitsu Siemens, 2=Microsoft, 3=AMI, 4=D-Link

Prices used in TPC benchmarks reflect the actual prices a customer would pay for a one-time purchase of the stated components. Individually negotiated discounts are not permitted. Special prices based on assumptions about past or future purchases are not permitted. All discounts reflect standard pricing policies for the listed components. For complete details, see the pricing section of the TPC benchmark pricing specifications. If you find that the stated prices are not available according to these terms, please inform the TPC at pricing@tpc.org. Thank you.

Five-Year Cost of Ownership: €682,917
 tpmC Rating: 40,696.25
 € / tpmC: 16.78

Note: The benchmark results and test methodology were audited by Bradley J. Askins of InfoSizing

Numerical Quantities Summary

MQTh, computed Maximum Qualified Throughput		40,696.25 tpmC	
% throughput difference, reported & reproducibility runs 0.17 %			
Response Times (in seconds)	90th percentile	Average	Maximum
- New-Order	0.90	0.59	5.26
- Payment	0.75	0.45	4.08
- Order-Status	0.77	0.47	5.66
- Delivery (interactive portion)	0.18	0.13	1.15
- Delivery (deferred portion)	0.94	0.62	2.00
- Stock-Level	2.68	2.21	5.87
- Menu	0.18	0.14	1.22
Transaction Mix, in percent of total transactions			
- New-Order			44.79 %
- Payment			43.09 %
- Order-Status			4.04 %
- Delivery			4.06 %
- Stock-Level			4.02 %
Emulation Delay (in seconds)		Response Time	Menu
- New-Order		0.1	0.1
- Payment		0.1	0.1
- Order-Status		0.1	0.1
- Delivery (interactive)		0.1	0.1
- Stock-Level		0.1	0.1
Keying/Think Times (in seconds)	Minimum	Average	Maximum
- New-Order	18.00/0.00	18.01/12.05	18.10/120.51
- Payment	3.00/0.00	3.01/12.03	3.08/120.52
- Order-Status	2.00/0.00	2.01/10.14	2.08/100.49
- Delivery (interactive)	2.00/0.00	2.01/ 5.03	2.08/ 50.50
- Stock-Level	2.00/0.00	2.01/ 5.06	2.06/ 50.50
Test Duration and Checkpointing			
- Ramp-up time		46 minutes	
- Measurement interval		20 minutes	
- Number of checkpoints		1	
- Checkpoint interval		20 minutes	
- Transactions during measurement interval (all types)		1,891,025	